

KZ(F)78-25注水井口装置

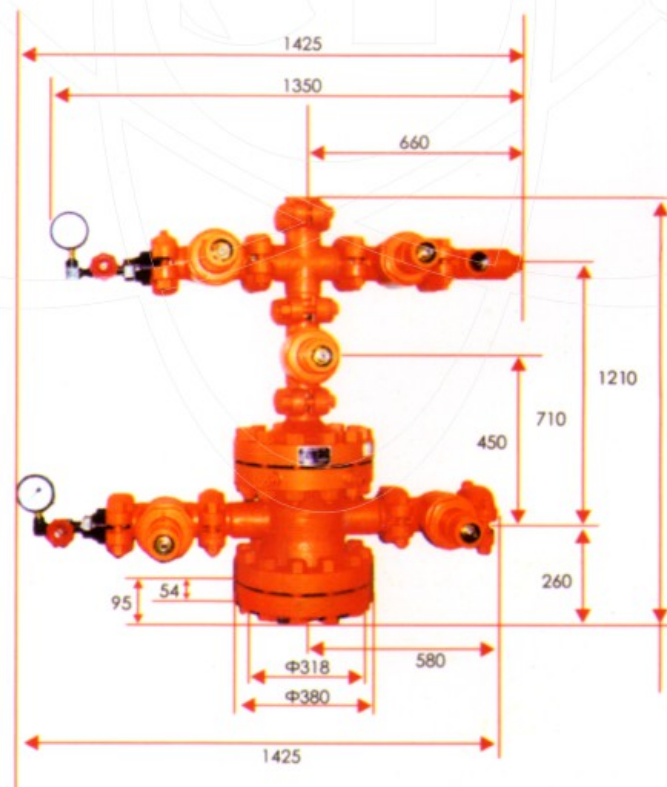
该采油井口装置用于注水井:

- 1、密封压力: 24.5MPa
- 2、公称通径: 78mm
- 3、联接方式: 卡箍
- 4、连接油管螺纹: 3-1/2" NU或3-1/2" EU
- 5、连接套管螺纹: 5-1/2" STC、7" STC
- 6、阀门型式: 可装手轮阀或防盗阀

KZ(F)78-25 Water Injection Wellhead Equipment

This wellhead equipment is used for water injection well

- 1、Sealing pressure: 24.5MPa
- 2、Inside nominal diameter: 78mm
- 3、Connection mode: clamp
- 4、Oil pipe connecting whorl: 3-1/2" NU or 3-1/2" EU
- 5、Casing connecting whorl: 5-1/2" STC, 7" STC
- 6、Valve type: hand wheel valve or anti-theft valve can be installed



KZJ(F)65-25注水井口装置

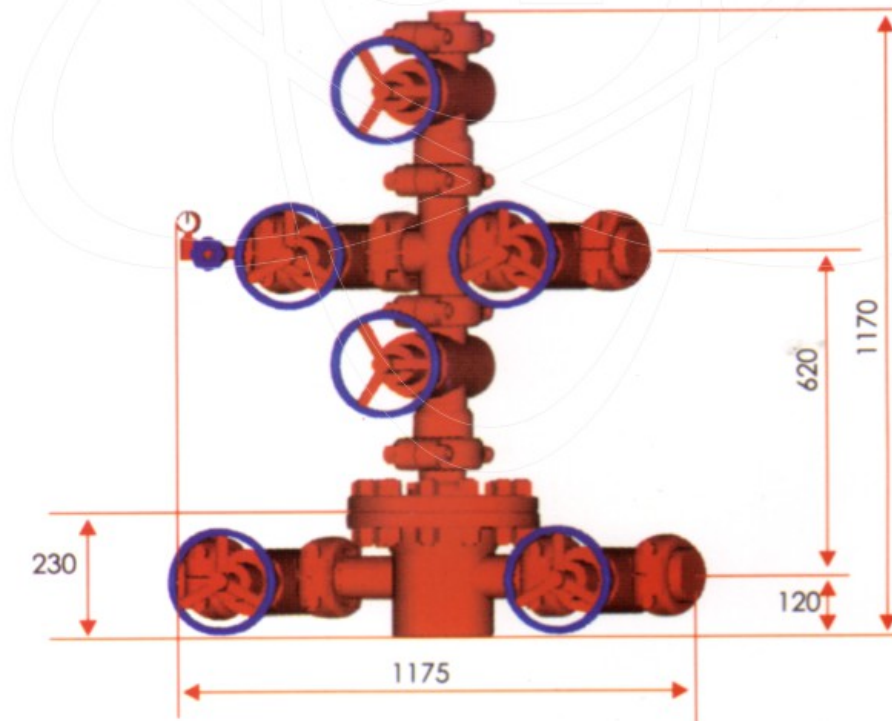
该采油井口装置用于注水井, 采用了免提结构设计, 维修简单。

- 1、密封压力: 24.5MPa
- 2、公称通径: 65mm
- 3、联接型式: 卡箍
- 4、连接油管螺纹: 2-7/8" NU或2-7/8" EU
- 5、连接套管螺纹: 5-1/2" STC
- 6、阀门型式: 可装手轮阀或防盗阀

KZJ(F)65-25 Water Injection Wellhead Equipment

This wellhead equipment is used for water injection well; hands free structure design is adopted simplifying maintenance.

- 1、Sealing pressure: 24.5MPa
- 2、Inside nominal diameter: 65mm
- 3、Connection mode: clamp
- 4、Oil pipe connecting whorl: 2-7/8" NU or 2-7/8" EU
- 5、Casing connecting whorl: 5-1/2" STC
- 6、Valve type: hand wheel valve or anti-theft valve can be installed



KYGJ65-25高效、紧凑型采油井口装置

该采油井口装置用于注水井。

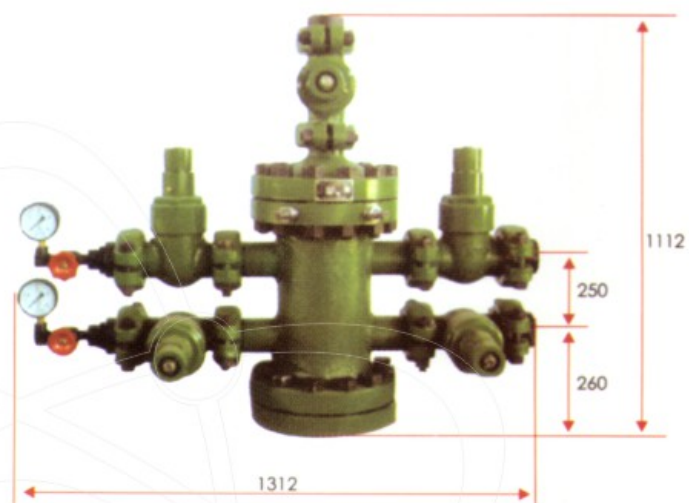
- 1、密封压力：24.5MPa
- 2、公称通径：65mm
- 3、联接方式：卡箍
- 4、连接油管螺纹：2-7/8" NU或2-7/8" EU
- 5、连接套管螺纹：5-1/2" STC

KYGJ65-25 Efficient compact wellhead equipment

KYGJ24.5/65 Efficient Compact Type Water Injection Wellhead Equipment

The wellhead equipment is used for water injection well.

- 1、Sealing pressure; 24.5MPa
- 2、Inside nominal diameter; 65mm
- 3、Connection mode; clamp
- 4、Oil pipe connecting whorl; 2-7/8" NU or 2-7/8" EU
- 5、Casing connecting whorl; 5-1/2" STC



KZ(F)65-25注水井口装置

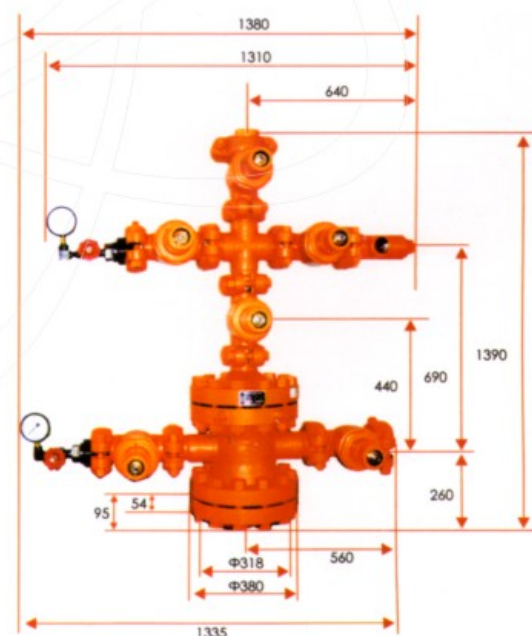
该采油井口装置用于注水井。

- 1、密封压力：24.5MPa
- 2、公称通径：65mm
- 3、联接方式：卡箍
- 4、连接油管螺纹：2-7/8" NU或2-7/8" EU
- 5、连接套管螺纹：5-1/2" CSG、7" STC
- 6、阀门型式：可装手轮阀或防盗阀

KZ(F)65-25 Water Injection Wellhead Equipment

This wellhead equipment is used for water injection well.

- 1、Sealing pressure; 24.5MPa
- 2、Inside nominal diameter; 65mm
- 3、Connection mode; clamp
- 4、Oil pipe connecting whorl; 2-7/8" NU or 2-7/8" EU
- 5、Casing connecting whorl; 5-1/2" CSG, 7" STC
- 6、Valve type; hand wheel valve or anti-theft valve can be installed



KQ65-21型采气井口装置

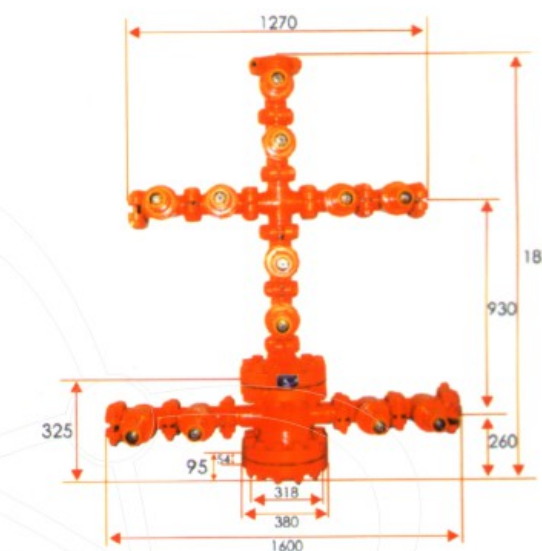
该装置用于采气井。

- 1、密封压力：20.7MPa
- 2、公称通径：65mm
- 3、联接型式：卡箍
- 4、连接油管螺纹：2-7/8" NU或2-7/8" EU
- 5、连接套管螺纹：5-1/2" STC或7" STC

KQ65-21 Gas extraction wellhead equipment

This equipment is used for gas extraction well.

- 1、Sealing pressure; 20.7MPa
- 2、Inside nominal diameter; 65mm
- 3、Connection mode; clamp
- 4、Oil pipe connecting whorl; 2-7/8" NU or 2-7/8" EU
- 5、Casing connecting whorl; 5-1/2" CSG, 7" CSG



KQ78/65-35采气井口装置

KQ78/65-70采气井口装置

KZ65-35注水井口装置

该井口装置用于采气井时用双阀，用于采油和注水井时用单阀。完全按API SPEC 6A标准设计。

- 1、产品规范级别：PSL1-4
 - 2、产品性能等级：PRI
 - 3、主通径：2-9/16"、3-1/8"
 - 4、旁通径：2-1/16"、2-9/16"
 - 5、压力级别：5000psi、10000psi
 - 6、温度等级：L·U
- 材料级别：AA、BB、CC、DD、EE、FF

KQ78/65-35 Gas Extraction Wellhead Equipment

KQ78/65-70 Gas Extraction Wellhead Equipment

KZ65-35 Water Injection Wellhead Equipment

Bivalve of this wellhead equipment is used for gas extraction and Single valve is used for oil extraction and water injection well. It observes API SPEC 6A standard completely.

- 1、Product Specification Level; PSL1~3
- 2、Product Performance Level; PRI
- 3、Main Inside Nominal Diameter; 2-9/16"、3-1/8"
- 4、Side Inside Nominal Diameter; 2-1/16"、2-9/16"
- 5、Pressure Level; 5000psi, 10000psi
- 6、Temperature Level; L·U
- 7、Materials Level; AA, BB, CC, DD, EE, FF

