



SUYAN VALVE

KY65-25采油井口装置

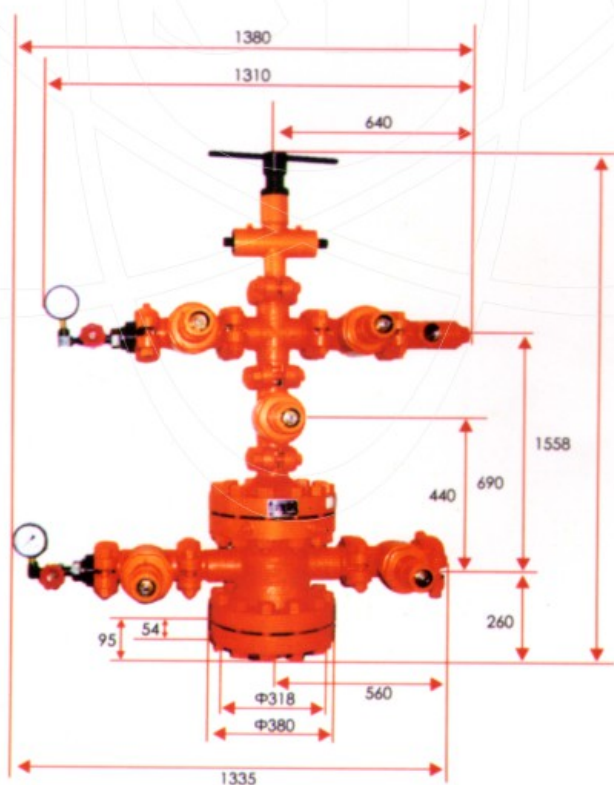
该采油井口装置用于自喷井、机采井。

- 1、密封压力：24.5MPa
- 2、公称直径：65mm
- 3、胶皮阀密封压力：16MPa
- 4、联接方式：卡箍
- 5、连接油管螺纹：2-7/8" NU或2-7/8" EU
- 6、连接套管螺纹：5-1/2" STC、7" STC
- 7、阀门型式：可装手轮阀或防盗阀

KY65-25 Wellhead Equipment

This wellhead equipment is used for flowing well and pump recovery well.

- 1、Sealing pressure; 24.5MPa
- 2、Inside nominal diameter; 65mm
- 3、Sealing pressure of rubber valve; 16MPa
- 4、Connection mode; clamp
- 5、Oil pipe connecting whorl; 2-7/8" NU or 2-7/8" EU
- 6、Casing connecting whorl; 5-1/2 STC. 7" STC
- 7、Valve type; hand wheel valve or anti-theft valve can be installed





KY78-25采油井口装置

该采油井口装置用于自喷井、机采井。

- 1、密封压力：24.5MPa
- 2、公称通径：78mm
- 3、胶皮阀密封压力：16MPa
- 4、联接方式：卡箍
- 5、连接油管螺纹：3-1/2" NU或3-1/2" EU
- 6、连接套管螺纹：5-1/2" STC、7" STC
- 7、阀门型式：可装手轮阀或防盗阀

KY78-25Wellhead Equipment

This wellhead equipment is used for flowing well and pump recovery well.

- 1、Sealing pressure; 24.5MPa
- 2、Inside nominal diameter; 78mm
- 3、Sealing pressure of rubber valve; 16MPa
- 4、Connection mode; clamp
- 5、Oil pipe connecting whorl; 3-1/2" NU or 3-1/2" EU
- 6、Casing connecting whorl; 5-1/2 STC. 7" STC
- 7、Valve type; hand wheel valve or anti-theft valve can be installed

